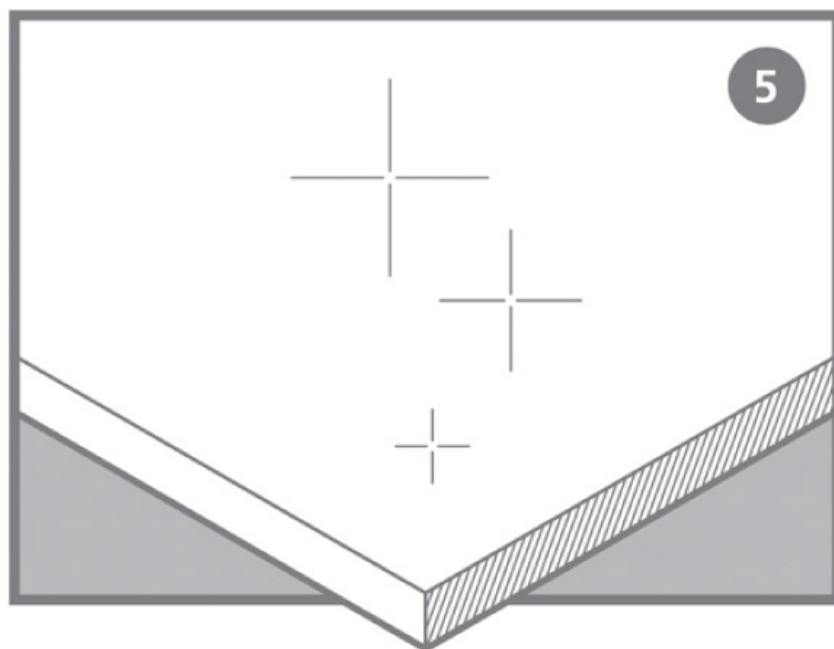
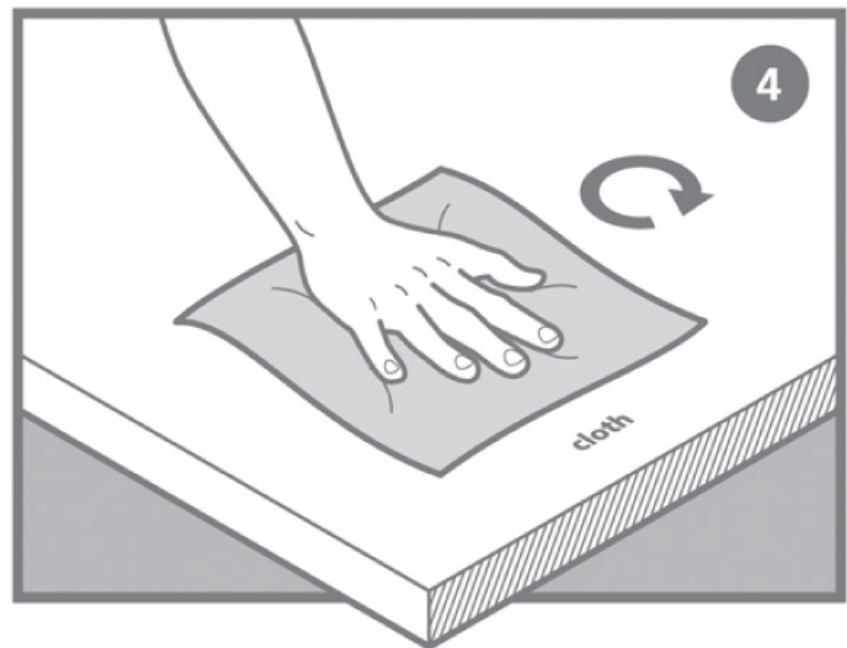
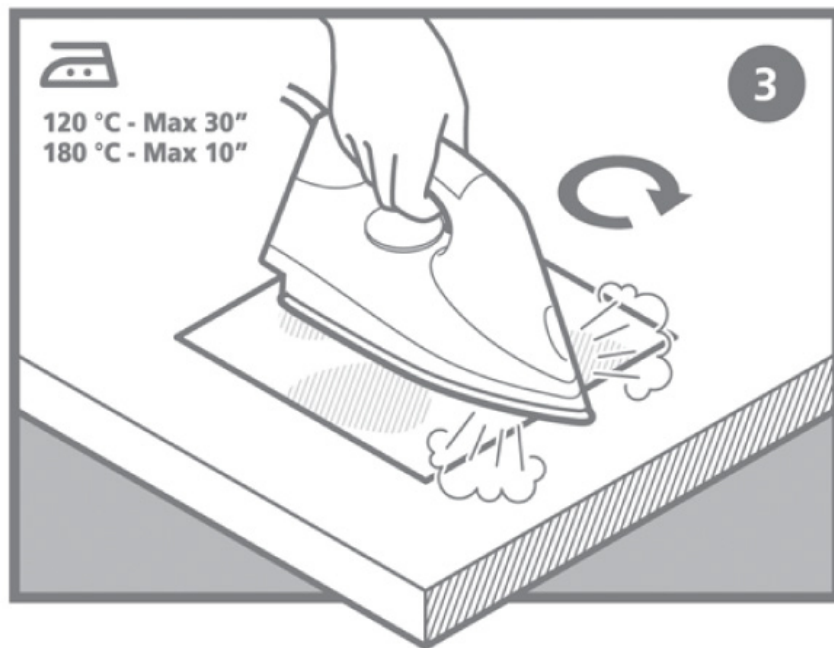
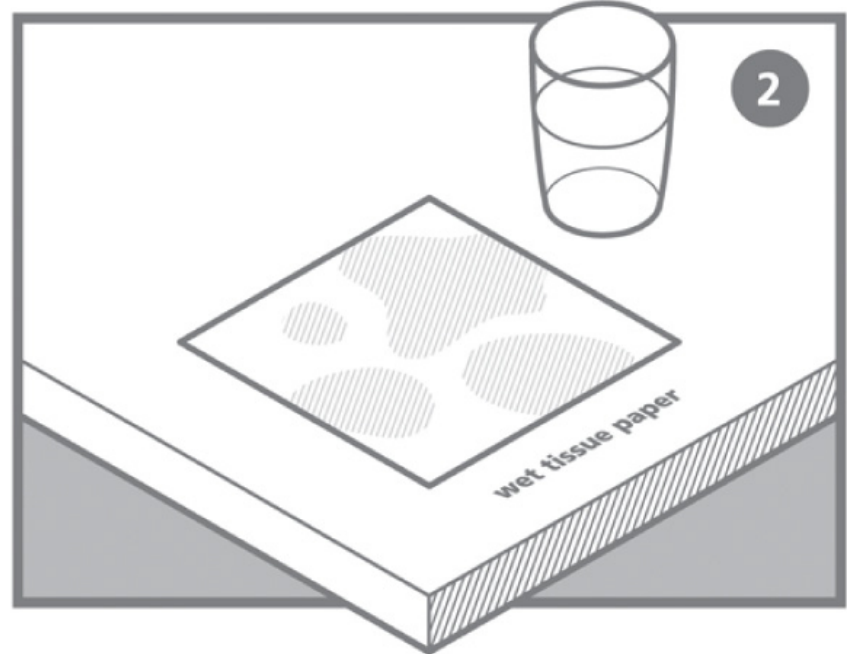
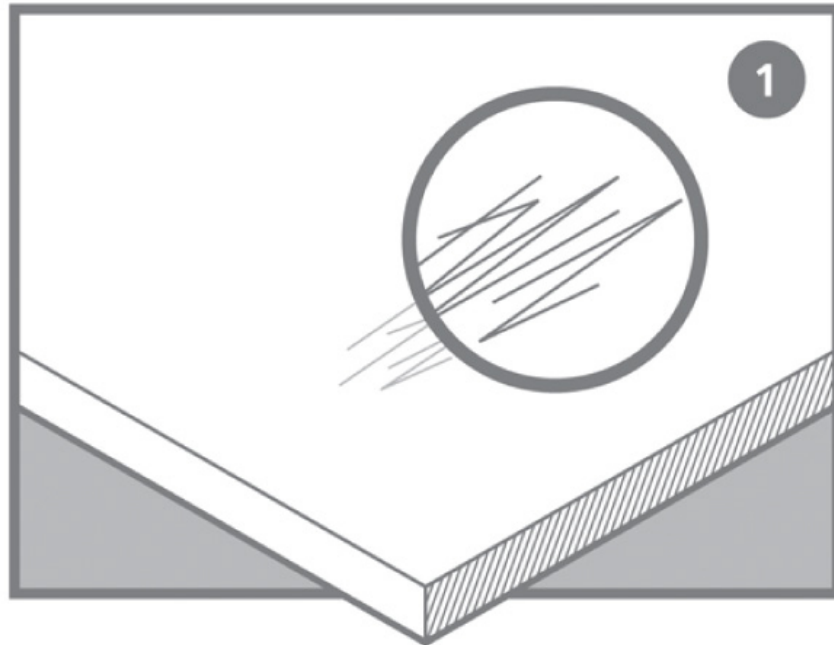




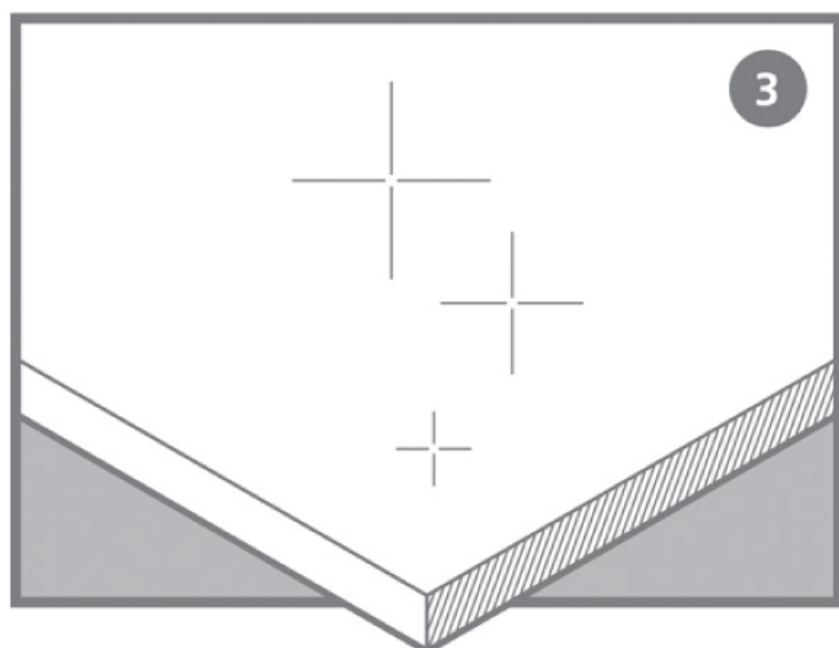
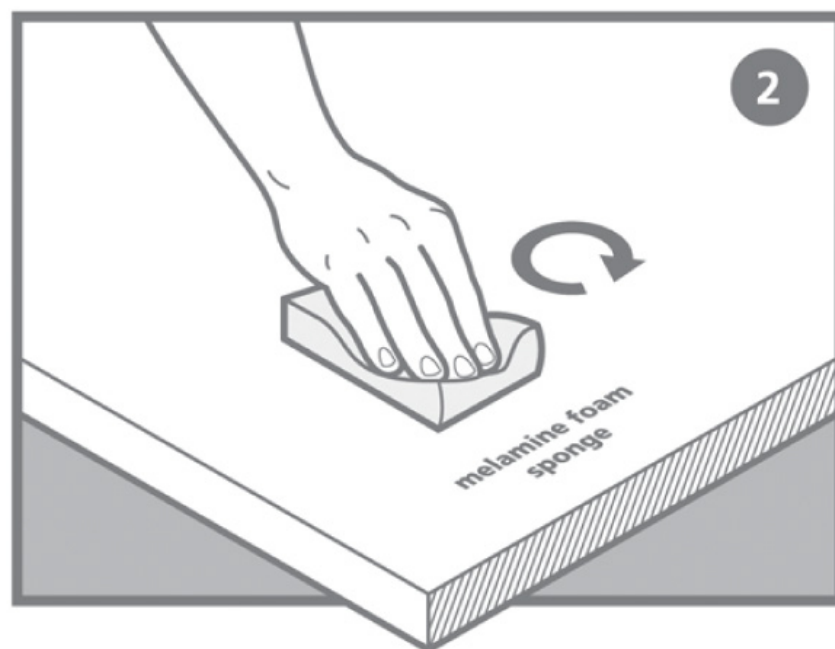
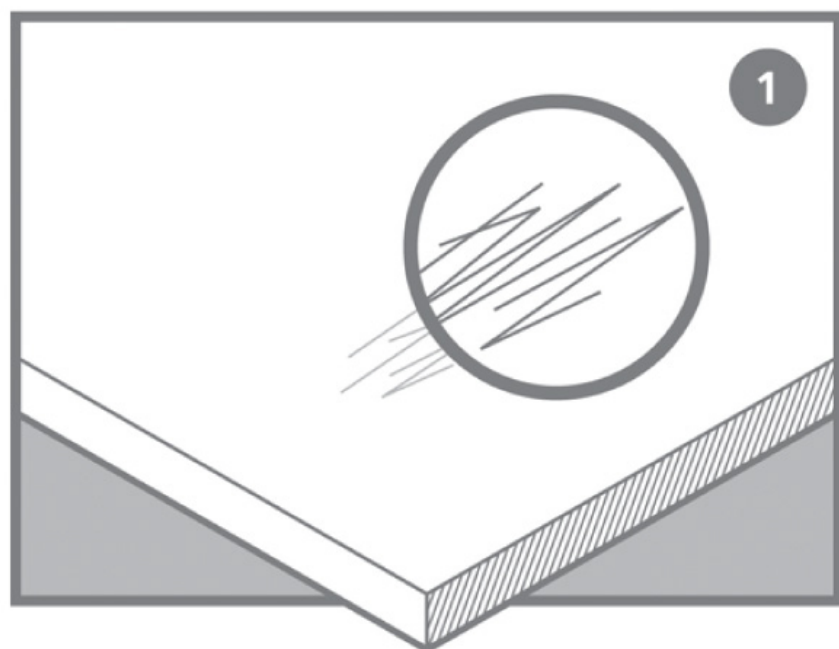
MAINTENANCE INSTRUCTIONS. IRON.



FENIX NTM[®] is a material for interior design with advance surface features.



MAINTENANCE INSTRUCTIONS. MELAMINE FOAM SPONGE.



FENIX NTM[®] is a material for interior design with advance surface features.

